

## HORSESHOES AND BOWLING

Walter Ray Williams Jr. is coming back to Wisconsin. He will be competing in the La Mode Classic Professional Bowlers Tournament in Green Bay, July 29 to August 3. La Mode, a sporting apparel company, in which its line of bowling shirts and slacks are worn by most of the pro bowlers, including Walter Ray, is sponsoring a professional tournament for the first time.

The Green Bay Horseshoe Club on Velp Avenue is hosting their Open Tournament on July 30 and 31. Tournament Director, Steve Wiegert, is planning on running Class A Men with 40 point games instead of the usual 50 shoe games. Wisconsin open tournaments have not been run on point games for a long time. It should prove to be an interesting weekend. There may be other classes run on point games.

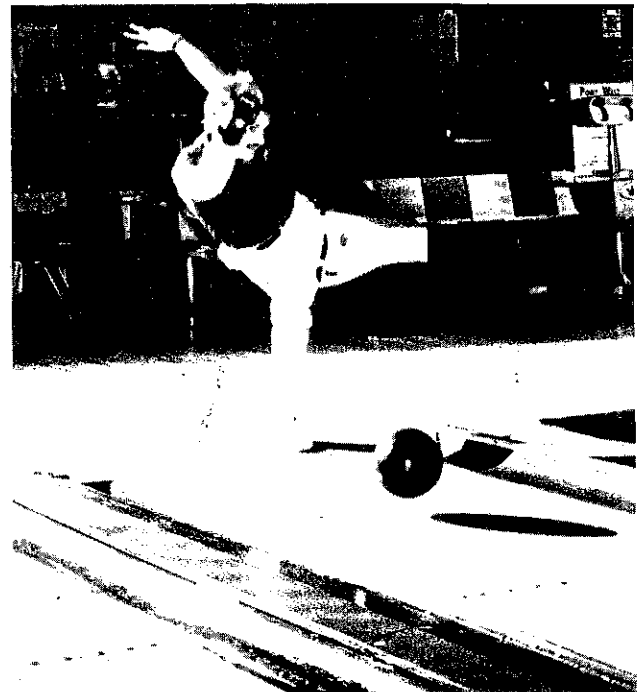
Here is an opportunity to play horseshoes and watch the pro bowlers at the Red Carpet Lanes, 2650 South Ashland Avenue. There will be some familiar names at the La Mode Classic. Bob Traber, of Cedarburg, has two sons, Dale and David, who are members of the Pro Bowlers Association. Rick and Bret Pritzlaff of Germantown, will be bowling at 3:00 P.M. on Saturday in the Pro/Am division of the La Mode Classic. The Pro/Am is a handicapped tournament for amateur bowlers, both juniors and adults. The format calls for each amateur to bowl three games while being paired with a professional bowler. The amateur's series plus the three games from three different pros will determine the winners.

They expect a large field of top name pros. There will be 160 professionals in the tournament. Each adult entrant in the Pro/Am will receive a La Mode bowling shirt (both women and men) while the juniors

will receive a La Mode visor and official pro bowlers program. The entry fee for adults is \$55 and for juniors, \$15. Squad times for the adults are on Saturday at 3, 5 and 7 P.M. The juniors compete on Friday at 7 P.M. and on Saturday at 1 and 3 P.M.

If you are interested in bowling in the Pro/Am, write to, Executive Director of the Bowling Proprietors Association of Wisconsin, Gary Hartel, 21140 Capitol Drive, Suite 5, Pewaukee, WI 53072, (414) 783-4292.

Spectators are welcome, free admission on Friday from 8:00 A.M. to 9:00 P.M. On Saturday, 9:00 A.M. to 8:30 P.M., \$2.00 admission, after 8:30 P.M., free admission for the Corporate squad Pro/Am. On Sunday, 9:00 A.M. to 10:30 P.M. (pros qualifying) admission is \$4.00.



Walter Ray Williams Jr.

**HORSESHOE PITCHING TIPS**

**BY CARL STEINFELDT**

1. AIM ABOUT 3" UP ON STAKE (6" IF THERE ARE RINGERS ON).
2. RELAX THE WHOLE BODY (EVEN SAG A BIT).
3. HOLD THE SHOE VERY LIGHTLY IN YOUR HAND.
4. LEVEL SHOULDERS.
5. USE THE THUMB TO "SIGHT" THE STAKE.
6. "CRACK" THE KNEES.
7. FOOT WITH WEIGHT SHOULD POINT TO THE STAKE (AND REMAIN THAT WAY IN THE FOLLOW THROUGH)
8. EXHALE BEFORE YOU PITCH.
9. SWING ARM STRAIGHT BACK AND STRAIGHT FORWARD.
10. ROLL THE WRIST AT RELEASE (NOT BEFORE)
11. EYE STAYS ON THE STAKE.
12. ALLOW ENOUGH ELEVATION FOR THE SHOE TO TURN NATURALLY.
13. FULL FOLLOW THROUGH (WEIGHT SHIFTS TO OTHER FOOT).

**OTHER SUGGESTIONS**

1. A RIGHT HANDED PLAYER SHOULD PLAY SLIGHTLY LEFT OF THE STAKE (OR MISS LEFT). A REGULAR SPIN MIGHT CATCH THE STAKE WHERE AS MISSING RIGHT IS A FULL MISS ("UNFORGIVING").
2. DON'T WATCH OPPONENTS SHOES.
3. REMAIN MOTIONLESS ON THE PITCHING SIDE WHEN OPPONENT IS TROWING.
4. WEAR COMFORTABLE PITCHING SHOES (NOT SNEAKERS)
5. EVEN FLIP SHOOTERS SHOULD PITCH WITH THE CORKS DOWN.
6. DON'T WASH CLAY OFF SHOES (UNLESS OR UNTIL YOU PAINT THEM).
7. SHOES SHOULD BE PAINTED FLAT WHITE (FOR A BETTER GRIP AND VISABILITY).
8. ELEVATION AND ALLIGNMENT ARE ESSENTIAL AND SHOULD BE IN MIND ALL THE TIME.
9. WHEN ASKED "WHAT DO YOU DO WHEN YOUR OPPONENT HAS SHOES BLOCKING THE STAKE?" CARL REPLIES "JUST THROW YOUR USUAL RINGER".

SUBMITTED BY DENNIS JANCOSKI

**JULY CALENDAR**

July 9, 10 Janesville U.A.W. Open, Ron Yttri, 214 Sunset Dr., Janesville, WI 53545 (608) 752-8228 DEADLINE JUNE 25.

July 15, 16, 17 Mideastern Open, Combined Locks, Ruth Sanders, 407 S. Washington St., Combined Locks, WI 54113 (414) 788-3192 DEADLINE JUNE 25.

July 15, 16, 17 Tobacco Days, Edgerton. Bun Carley, 549 Edgerton Rd., Edgerton, WI 53534 (608) 884-3691 DEADLINE JULY 5.

July 23, 24 Kewaskum Open, Rob Struebing, 8893 Fairview, Campbellsport, WI 53010 (414) 626-2018 DEADLINE JULY 8.

July 30, 31 Swen's Open, Green Bay, Steve Wiegert, 1505 Ellis St., Green Bay, WI 54302 (414) 435-6310 DEADLINE JULY 16. ( SEE AD BELOW).

*Green Bay Horseshoe Club's  
22nd Annual  
Swen's Open  
1988 July 30-31 1988*

D & G Midway Bar and Courts  
1757 Velp Avenue  
Use Velp Ave. Exit off Hwy 41  
proceed 1/4 mile east

We will use 1987 Top Three tournament average; If no average send league average or score sheet of 100 shoes.


Entry Fees: \$13.00 should accompany entry  
- Men Class A - additional \$5  
- Men Class B - additional \$2  
- Junior Boys & Girls- \$1 fee  
  
- Each class will retain its own money

CLASS A & B MEN AND CLASS A WOMEN  
WILL PITCH 40 POINTS CANCELLATION.

Prizes: 1st Place Trophies  
Pay ALL places

Entry Deadline: July 16

Send To: Steve Wiegert  
1505 Ellis St.  
Green Bay, WI 54302  
(414) 435-6310



## TALKING HORSESHOES



with  
JANE  
SMITH

State Champion lady, Jane Smith, one of the North-of-Hwy 8 gals, has put the little town of Balsam Lake on the map. Some may remember her for her ranking of tenth in the 1986 World but how many of those also know she only started pitching horseshoes in the 1980's. We did an up-front and personal interview with Jane at the Spring Meeting in Wautoma. Found out she really is married to Kirby Smith and they have two big dogs who are just like kids. So here we go, one-on-one with Jane Smith, a Wisconsin NHPA regional director.

I UNDERSTAND YOU WENT TO AN ALL GIRLS SCHOOL...

Yes, College of Saint Scholastic in Duluth. It was a Catholic girls school. I went there for two years and then they started to let guys come there when I was in my junior and senior year...and it's gone downhill ever since. (laughter)

WERE YOU FROM DULUTH?

No, my folks live in Lakeville, Minnesota. So I didn't know Wisconsin existed until I needed a job. Then my first teaching position was in Balsam Lake, (WI) and I've been there ever since, fifteen years, teaching Home Economics.

HORSESHOES...HOW DID YOU GET GOING IN THIS SPORT?

My friend, who is the Phy-Ed teacher at the high school, broke her ankle one time so we couldn't play softball and we needed something to do so we practiced horseshoe. We pitched either in her back yard or at the tavern in Cushing. We would trip back and forth, her in the cast and she would beat me all the time! I couldn't do anything!

WERE YOU A FORTY FOOT PITCHER?

No, thirty. The ladies up in our area always pitched from thirty feet. There was a ladies league in our area pitching on Wednesday nights, but that was our night to play slow-pitch and after we gave that up, we started playing horseshoe in the tavern league. And after that she (Norma) got me going in the fifty shoe stuff at tournaments. That was really fun! We went to Ramsey and I won. I won the first tournament I was ever in and I said, Wow!, this is a fun game. Then I pitched some Minnesota tournaments for about a year and I think it was at Bloomington where I met Pat Eaton and Pat said that maybe you ought to come to our State tournament. So I did come in 1981, I think, and in that first State tournament that I entered there was a three way tie (for first) between Shary, (Klopp) Pat and myself. (Jane won)

I'M IMPRESSED, I HAD NO IDEA YOU ARE SO NEW AND FRESH AT THIS GAME. SURELY THAT EARLY SUCCESS CREATED YOUR INTEREST.

Right, I really enjoy it, I think it's a fine game. DO YOU STILL KNOW OR ASSOCIATE WITH NORMA, THE GIRL THAT GOT YOU STARTED PITCHING?

Oh sure, she pitches with us and she's good, about 50% and she's tough. Yes, Norma Thompson, she's Debby's sister, you know Debby Thompson, she makes a lot of tournaments with me.

DID YOUR PITCHERS ASSOCIATION START WITH A FEW OTHER GIRLS AND YOU?

Well yes, we had the Wednesday night league going and now have over 200 ladies pitching at 24 locations, eight ladies to a team...- I've been president of that for four or five years now. We are trying to get those people to be Wisconsin members, you know, so that wouldn't be so bad if we could do that.

IS THAT THE POLK COUNTY LEAGUE?

Yes, officially it's the Polk County Womens Horseshoe Pitchers Association. We play doubles; thirty point games. Since 1984 we have started our Monday night handicap league with fifty shoe cancelation. We started out with ten women and now we have thirty men and women pitching together on Monday nights; which is fun.

I HEARD YOU ARE GOING TO CANADA, FISHING. DO YOU COME BY THAT NATURALLY?

No, I didn't know anything about fishing until I came to Wisconsin and I'll have to give Norma credit here again. When

JANE SMITH (CONT'D)

I was single I did a lot of things with her. She got me going in softball, horseshoe and fishing...and how to drink beer.

WHERE ARE YOU GOING IN CANADA?

Just a couple hours across the border, Rainy Lake, Kirby doesn't go, we take my 13 year old nephew and just go for a few days. Must have done it 20 times. We go as soon as school is out. Summer doesn't begin until we've been fishing.

ARE YOU STARTING A JUNIOR LEAGUE?

Yes, I sent flyers to four papers and I had it published in the school paper twice. advertising that we are starting the league. I talked to the seventh graders also...high schoolers are busy with track right now. But we'll get it going.

ANY INSPIRATIONAL PERSON THAT YOU MET SINCE YOU STARTED PITCHING?

I would have to say Pat Eaton has been the number one person as far as making a new person feel welcome. When I first met her she was really warm and you know I was scared to death, you don't know what to expect at these tournaments. She said, "It's not so bad, just go out there and throw your shoes and have a good time." And she was a super lady....

THANK YOU JANE SMITH AND GOOD LUCK AT THE 1988 WORLD TOURNAMENT.

DOWN AND BACK

with JIM HAUPT

At the Wautoma Spring meeting, Roger Schultz, the State tournament director, asked if the Association would prefer to have the Fall meeting on Saturday night. A quick chorus of no's squelched that idea before it got started. And it was agreed the "proper" time is Sunday morning. Afterwards I began to wonder if it was the right choice....

Roger, I'm just thinking...about your proposal to have the meeting Saturday night.

The Saturday night meeting in 1984 was fun. Maybe some others thought it was too much fun. Some people were probably talking bolstered by liquid refreshment. But the attendance was more than I've ever seen. Personally, I would be willing to listen to a few more speeches rather than give up the possibility of running classes Sunday morning. I realize the die is cast. The meeting will be Sunday morning.

How would it be if we had an informal meeting Saturday evening? When the last class is finished Saturday, it's going to be "Miller Time" somewhere. You tell me where and I might buy the Tournament Director a steak and a beer or two.

We don't have to invite the whole state of Wisconsin, but we don't have to keep it a secret either. They might want to buy one too. What was the name of that place where we met last time? Let me know the name of your current watering-hole and I'll get up the party.



the national horseshoe pitchers association

Game Related Items

wisconsin sub distributor  
paul neumann  
111 marcella st.  
conomowoc, wi.

53066 414 567 7001

call or send for 1988 catalog

One Day Service  
Sales Incentives  
Awards, Trophies, Plaques

Manufacturer

RUDIG OLYMPIC AWARDS

126 S. 2nd Street  
Milwaukee, WI 53204

Royce DeBow  
National Sales Manager

(414) 273 2727

**THE SCHUMMER COURT**

Light-weight, portable, easy set-up and all any pitcher would ever need; is a fair description of the Schummer court pictured here. The snow white thermoplastic back-board has never been known to crack or break. It's white through and through; never needs to be recoated or painted. The color eliminates the need to ever paint the stake. A dark stake against a white background is the best combination this pitcher has aimed at. These courts are made in a professional style but really quite simple to duplicate. The only tricky part would be welding the stake to the channel iron. Notice the way the top of the stake is cut at an angle to reduce shoe deflection (an idea copied by the Eau Claire Club for their courts in the ice arena).

Last month we brought you the Schummer scoreboard; just another part of the Schummer System, coincidentally and concurrent with the NHPA Digest article, authored

by NHPA President, Dave Loucks, telling of this man Schummer who has some inovative ideas for the sport of horseshoes. For the pitchers who will attend the World Tournament; Don't miss the Schummer demonstration. The man is a horseshoe evangelist and really puts on a show. That is the best way to learn the Schummer System. But if you can't be there to hear the salesman, then send for the literature. Writeto: Red Henton, 513 West Platt Street, Maquoketa, IA 52060.

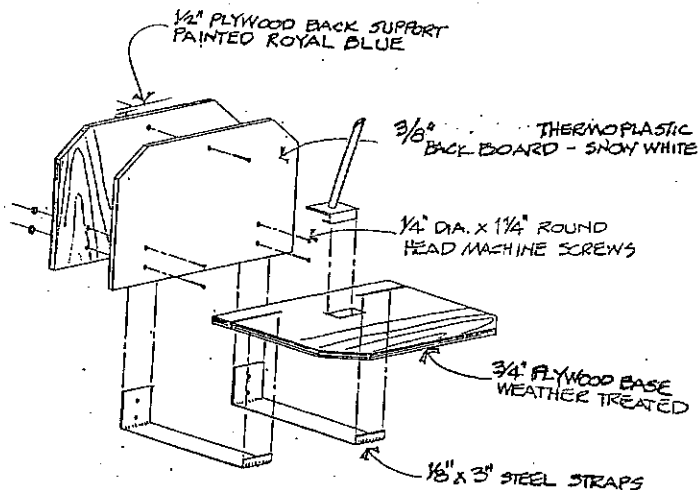
In the Fall of 1986 these courts were used for a one class mini-tournament lasting two days. The base was a former shuffle-board court, an ideal platform. The four buckets of clay made them the best courts in the Mercer, WI area. No, we did not win this one but the courts are still in our posession. If you would care to see these courts in action or otherwise, ask Jim Haupt to bring them along to your tournament.

ASSEMBLY DIAGRAM

ONE MINUTE TO ASSEMBLE OR DISMANTLE  
THE COMPLETE COURT (TWO UNITS) SHIPS  
EASILY IN ONE 5' x 20' x 20' BOX

SCHUMMER COURT  
NOT  
PATENTED

ALL PARTS MEASURE 15" by 20"  
14 ENDS FROM ONE 4 by 8 PLYWOOD  
WEIGHT APPROX. 25 LBS EACH



MASS PRODUCED COST PER PAIR - APPROX. \$50.00  
SUGGESTED RETAIL PRICE PER PAIR - \$100.00

**WHY SETTLE FOR SECOND BEST?**

**THE ORIGINAL**

*Rudig*   
**TROPHIES**

OVER 27 YEARS OF  
QUALITY SERVICE

**213 N. BROADWAY**  
Milwaukee, Wisconsin 53202  
(414) 224-4999  
MANUFACTURERS & ENGRAVERS  
One Day Service

MEMBERS OF WHPA

**DEADEYE HORSESHOES  
NOW**

Clydesdale model "DEADEYE" Horseshoe. Drop Forged

Susie Pritzlaff  
W204 N11912 Goldendale Rd.  
Germantown, WI 53022  
Ph. 414-628-1484

Bill Courtwright  
P.O. Box 742  
Fenton, MD 63026  
Ph. 314-677-2200



Left to right, Renee Sternberg, Stuart Bennett, Tom Hansen, Ken Jaeger Jr

Dick Hansen is glad the long stint of winter tournament directing is over. Now he can go to a few tournaments with no strings attached and just have a good time. Tom Roanhouse is also heading into his slack season (the outdoor season) and is looking forward to a little time of his own. Have fun guys, October will be here before you realize it.

## JUNIOR SCHOLARSHIP BENEFIT

Will there ever be another benefit tournament for the scholarship fund? Indications are that not many pitchers are willing to support a second venture. May 8th the Pitchin' Palace hosted this new idea as a promotion hoping the opener would draw a large field of WHPA pitchers interested in pitching for a cause. It was not to be. Thanks to the twenty-seven pitchers who did show, there was a tournament. But that number, we know, is hardly representative of the people who are genuine in furthering the fund and the reason for it. That being recognition and encouragement of our junior pitchers. The Mothers Day date was a mistake but all efforts to postpone and re-schedule were thwarted.

Financially it was a winner, \$100. Tom Roanhouse, sensing a fiasco, donated all of his normal court fees so that there would be an appreciable sum for the fund even if it had to be a house gift.



### Some comments on the 1987 World Tournament Videotape

**"The best piece ever produced on the sport of horseshoes!"**

Over 40 minutes of interviews, how to, and highlights of the top matches. Rave reviews, not to mention the rock video segment with the novelty piece, "Those Shoes Were Made For Pitchin'." If you were at the tournament, you're probably in the tape, if you weren't, you're sure to see someone you know. We can't say enough, and we think you'll agree when you see it.

**\$34.95**

PLUS SHIPPING  
& HANDLING

"It's great! I enjoy showing it to my friends. In fact, I'm going to use it when I teach horseshoes in gym class."

DEBBIE BESTUL  
Three Time Girls' World Champion

"... a job well done. It was catchy and professional, easily enjoyed by non-horseshoe pitchers as well as horseshoe pitchers."

DEBORAH MICHAUD  
Rayham, MA

ORDER TODAY

YES! Please send me a  VHS  Beta Videotape  
1987 World Horseshoe Tournament



Name: \_\_\_\_\_  
Address: \_\_\_\_\_  
City: \_\_\_\_\_  
State: \_\_\_\_\_ Zip Code: \_\_\_\_\_  
Phone: \_\_\_\_\_ Date: \_\_\_\_\_

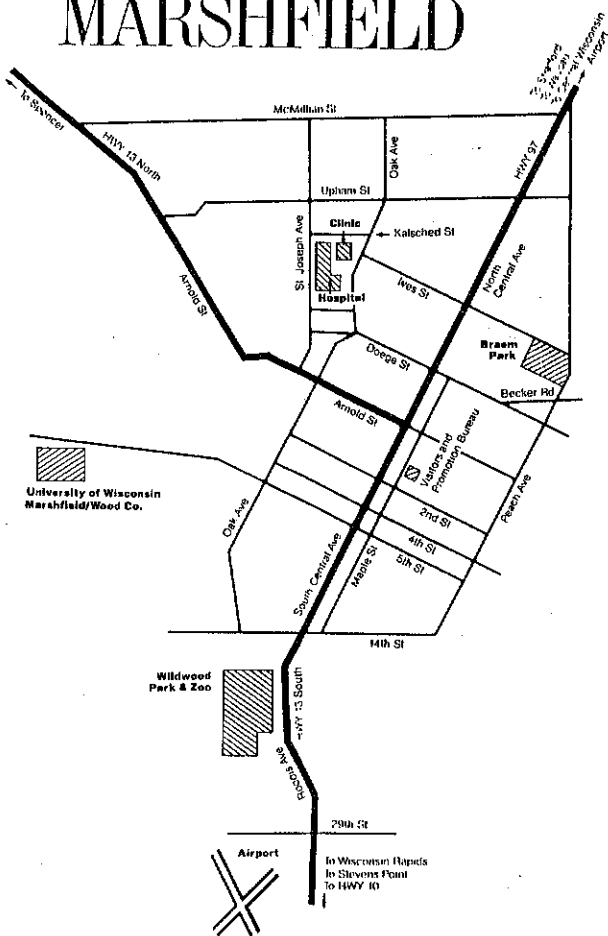
Checks or money orders for \$34.95 plus \$2.50 shipping and handling  
Mail to: National Horseshoe Pitchers' Association, Box 278,  
Munroe Falls, Ohio 44262

"The best video ever done on the sport. A fine tool for promoting the sport and very professionally done. I was very pleased ..."

DONNIE ROBERTS  
Secretary/Treasurer, NHPA

# STATE TOURNAMENT DATA SHEET

## MARSHFIELD



## PLACES TO STAY

	Single	Double	Rooms
<b>Best Western Marshfield Inn</b> 116 West Ives Street 387-6381 or 1-800-528-1234 *Fit/Pets/Kit/S/TVm/W/HF/SC	\$31.95	\$35.95	32
<b>Budget Inn</b> 2121 West Arnold Street 387-2511 *Kit/M/TVm/HF/SC	\$18.95	\$22.95	46
<b>Comfort Inn</b> 114 East Upham Street 387-8691 or 1-800-228-5150 *Fit/Kit/M/TV/W/HF/SC	\$32.00	\$37.00	38
<b>Downtown Motel</b> 750 South Central Avenue 387-1111 *Pets/Kit/M/TVm/SC	\$22.00	\$25.00	38
<b>Hay's Stardust Motel</b> 1801 South Roddis Avenue 387-1191 *Pets/Kit/TVc/TVm/SC	\$22.95	\$26.00-29.00	15
<b>Hillcrest Motor Lodge</b> 504 North Saint Joseph Avenue 387-1234 Pets/Rest-Breakfast only/TV	\$20.00	\$23.00	37
<b>Marshfield Knight Inn</b> Highway 13 South 387-1761 or 1-800-227-1761 *Pets/M/P/Rest/TVc/V/HF/SC	\$36.00	\$44.00	100
<b>Marwood Motor Inn</b> 1735 North Central Avenue 387-1158 *Pets/Kit/M/Rest/TVc/SC	\$20.50	\$23.50	25
<b>Neva-Jean Motel</b> Highway 13 North 387-3731 Kit/TV	\$15.00	\$17.00	44
<b>Old Dutch Inn</b> 908 North Central Avenue 387-3407 *TVc/TVm/HF	\$23.50	\$27.50	11
<b>The Park Motel</b> 1806 South Roddis Avenue 387-1741 *Pets/TVc/TVm	\$23.00	\$26.00-29.00	20

6111 MAGNOLIA DRIVE  
WISCONSIN RAPIDS, WISCONSIN 54494

OFFICE: (414) 771-3750  
HOME: (715) 423-4522

**CHRISTOPHER J. KITTI**  
INVESTMENT PLANNER

**Charter Investment Services, Inc.**  
AFFILIATED WITH CAPITAL FINANCIAL SERVICES, INC.

2323 N. MAYFAIR ROAD, SUITE 502  
MILWAUKEE, WISCONSIN 53226

MUTUAL FUNDS CORPORATE BONDS

CASH FLOW REAL ESTATE

GOV'T BOND PORTFOLIOS

TAX FREE SECURITIES

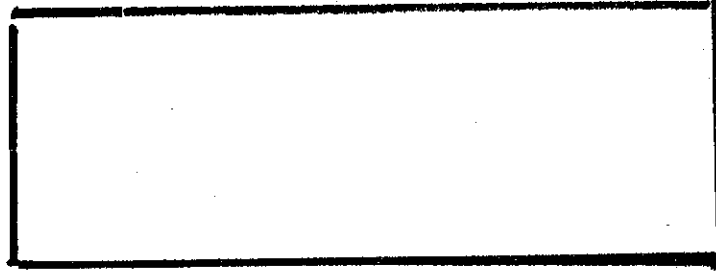
IRA'S SEP-IRA'S

\* Credit cards accepted; Fit/fitness equipment;  
HF/handicapped facilities; Kit/kitchen facilities;  
M/meeting rooms; Pets/pets with approval;  
P/outdoor pool; Rest/restaurant; S/sauna;  
SC/senior citizen discount; TV/television;  
TVc/cable television; TVm/movie channels;  
W/whirlpool; V/courtesy van.

All rates are subject to city and state taxes and are correct at the time of printing, April, 1987. All rates are subject to change at the discretion of the establishment.

WISCONSIN HORSESHOE NEWSLETTER  
W204 N11912 GOLDENDALE ROAD  
GERMANTOWN, WI 53022

BULK RATE  
U.S. POSTAGE  
**PAID**  
PERMIT NO. 25  
GERMANTOWN, WI  
53022



Now's the time to Plan your

\* **Winter** \* **Outing** \*  
\* at the (Group Rates)

**Pitchin' Palace**

Contact **Tom Roanhouse**  
1-414-886-8555

**14000 LEETSBIR ROAD  
STURTEVANT, WI 53177**

**Off I-94 on West Frontage Road  
Between Hwy. 11 & Hwy. 20**